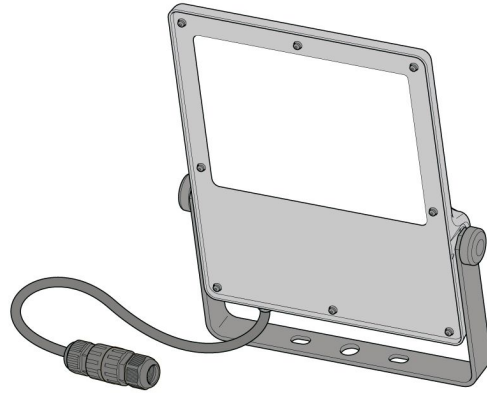


ODIN-2

DKF291/292/293/294



220V
240V

50Hz
60Hz

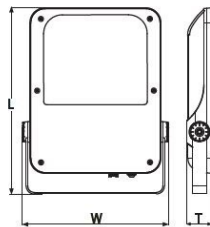


IK08

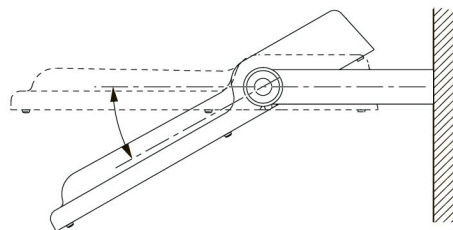
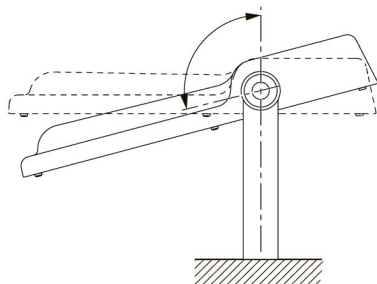
IP66

Max. 35 °C
Min. -40 °C

Code	Type	Power, W	Luminous flux, lm	Temperature, K	Optic type	IP code	Weight, kg
600151431301	DKF291 LED053 35W 740 I ASWD IC0	35	5300	4000	Asymmetric	IP 66	3,4
600151431302	DKF291 LED055 35W 740 I RS48 IC0	35	5500	4000	Symmetric	IP 66	3,4
600151431303	DKF291 LED078 53W 740 I ASWD IC0	53	7800	4000	Asymmetric	IP 66	3,4
600151431304	DKF291 LED080 53W 740 I RS48 IC0	53	8000	4000	Symmetric	IP 66	3,4
600151431307	DKF292 LED120 79W 740 I RS48 IC0	79	12000	4000	Symmetric	IP 66	4,4
600151431308	DKF292 LED117 79W 740 I ASWD IC0	79	11700	4000	Asymmetric	IP 66	4,4
600151431315	DKF292 LED074 53W 740 I WB IC0	53	7400	4000	Asymmetric	IP 66	4,4
600151431316	DKF292 LED049 42W 730 I RS23 IC0	42	4900	3000	Symmetric	IP 66	4,4
600151431317	DKF292 LED092 62W 740 I ASWD IC0	62	9200	4000	Asymmetric	IP 66	4,4
600151431306	DKF292 LED093 62W 740 I RS48 IC0	62	9300	4000	Symmetric	IP 66	4,4
600151431309	DKF293 LED160 105W 740 I RS48 IC0	105	16000	4000	Symmetric	IP 66	6,3
600151431310	DKF293 LED156 105W 740 I ASWD IC0	105	15600	4000	Asymmetric	IP 66	6,3
600151431318	DKF293 LED132 88W I 740 ASWD IC0	88	13200	4000	Asymmetric	IP 66	6,3
600151431321	DKF293 LED135 88W 740 I RS48 IC0	88	13500	4000	Symmetric	IP 66	6,3
600151431311	DKF294 LED214 140W 740 I RS48 IC0	140	21400	4000	Symmetric	IP 66	8,5
600151431312	DKF294 LED206 140W 740 I ASWD IC0	140	20600	4000	Asymmetric	IP 66	8,5
600151431313	DKF294 LED267 172W 740 I RS48 IC0	172	26700	4000	Symmetric	IP 66	8,5
600151431314	DKF294 LED258 172W 740 I ASWD IC0	172	25800	4000	Asymmetric	IP 66	8,5
600151431319	DKF294 LED182 123W 740 I ASWD IC0	123	18200	4000	Asymmetric	IP 66	8,5
600151431320	DKF294 LED189 123W 740 I RS48 IC0	123	18900	4000	Symmetric	IP 66	8,5

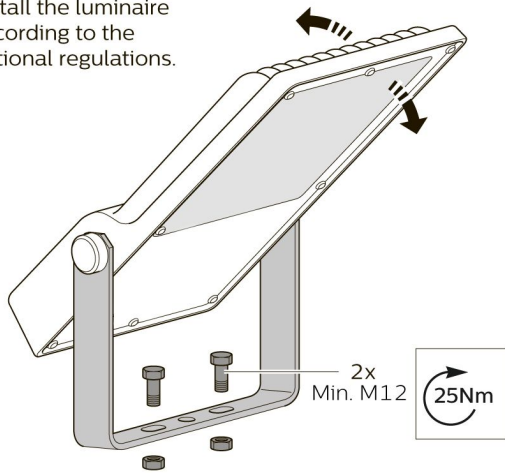


	DKF291	DKF292	DKF293	DKF294
"W"Width	250 mm 9.84"	281.1mm 11.07"	346.8 mm 13.65"	346.8 mm 13.65"
"L" Length	335.2 mm 13.20"	383.1 mm 15.08"	441.8 mm 17.39"	531.5mm 20.92"
"T"Thick	59.7mm 2.35"	59.7mm 2.35"	63.7mm 2.51"	68.1mm 2.68"

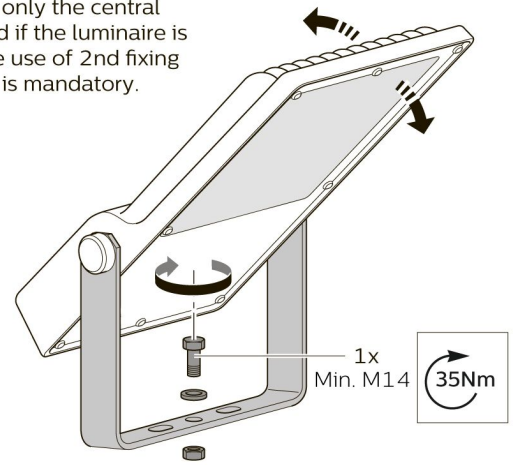




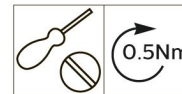
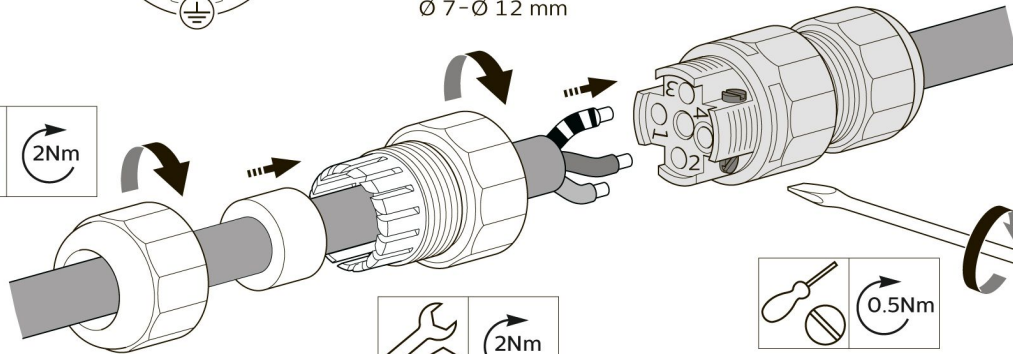
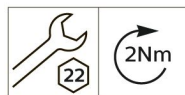
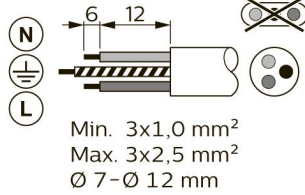
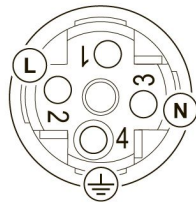
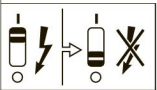
Install the luminaire according to the national regulations.



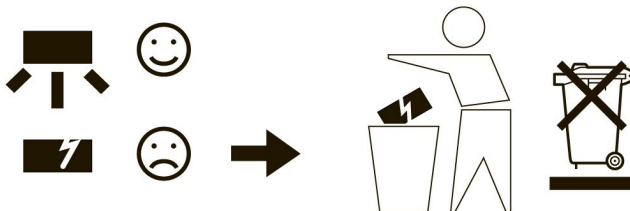
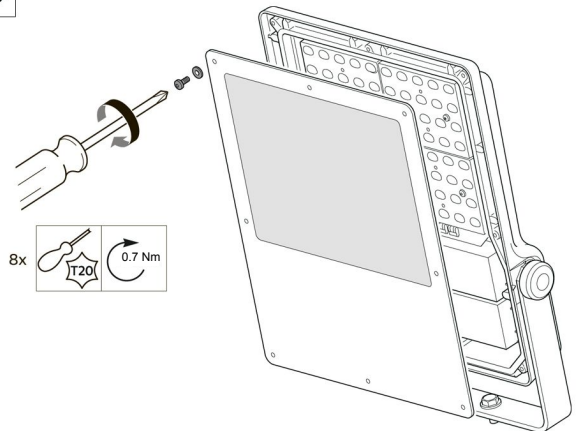
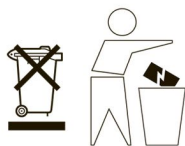
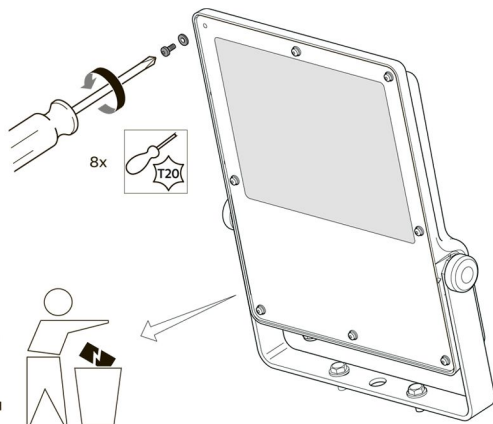
In case of using only the central hole fixation and if the luminaire is higher >3 m, the use of 2nd fixing security system is mandatory.



PSU



glass maintenance instruction



- The light source contained in this luminaire shall only be replaced by the manufacturer or his service agent or a similar qualified person.
- The luminaire shall be installed or maintained by a qualified electrician and wired in accordance with the latest IEE electrical regulations or the national requirements.
- If the external flexible cable or cord of this luminaire is damaged, it shall be exclusively replaced by the manufacturer or his service agent or a similar qualified person in order to avoid a hazard.
- Outdoor use only.