

Motion detector

IS 130-2

white

EAN 4007841 660314

Article number 660314



infrared sensor
130°



max. 12 m

600 W

600 W max.
(LED-ready)



IP54



Sensor 90° ver.,
50° hor.



2 - 2000 lux



8 sec - 35 min



Ideal 2 m



energy saving

3 years

manufacturer's
warranty
[steinell.de/garantie3y](https://www.steinell.de/garantie3y)

Function description

Targeted detection all around the building. Infrared motion detector IS 130-2, for indoors and out, ideal for targeted detection close to the building, 130° angle of coverage, reach up to 12 m, selectable time and twilight threshold, sensor turns through 50° and tilts through 90° for exact adjustment of the detection zone.

Motion detector

IS 130-2

white

EAN 4007841 660314

Article number 660314



Technical specifications

Type	Motion detectors
Dimensions (L x W x H)	87 x 78 x 110 mm
Mains power supply	230 – 240 V / 50 Hz
Sensor Technology	passive infrared
Application, place	Outdoors, Indoors
Installation site	wall
Installation	Surface wiring
Mounting height	1,80 – 3,00 m
Reach, radial	r = 3 m (10 m ²)
Reach, tangential	r = 12 m (163 m ²)
Detection angle	130 °
Angle of aperture	40 °
Switching zones	260 switching zones
Optimum mounting height	2 m
Mechanical scalability	No
Sneak-by guard	Yes
Capability of masking out individual segments	Yes
Electronic scalability	No
Twilight setting TEACH	No
Twilight setting	2 – 2000 lx
Time setting	8 s – 35 Min.
Output	600 W
Switching output 1, resistive	600 W
Switching output 1, number of LEDs / fluorescent lamps	4 pcs.

Fluorescent lamps, electronic ballast	430 W
Fluorescent lamps, uncorrected	500 VA
Fluorescent lamps, series-corrected	500 VA
Fluorescent lamps, parallel-corrected	500 VA
Switching output 1, low-voltage halogen lamps	500 VA
LED lamps	16 W
LED lamps > 2 W	64 W
LED lamps > 8 W	64 W
Capacitive load in µF	88 µF
Constant-lighting control	No
Basic light level function	No
Settings via	Potentiometers
With remote control	No
Interconnection	Yes
Type of interconnection	Master/master
IP-rating	IP54
Material	Plastic
Ambient temperature	-20 – 50 °C
Application, room	outdoors, front door, all round the building, terrace / balcony, courtyard & driveway
Colour	white
Colour, RAL	9010
Manufacturer's Warranty	3 years
Version	white
PU1, EAN	4007841660314

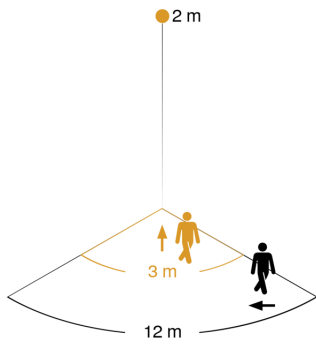
Motion detector

IS 130-2

white
 EAN 4007841 660314
 Article number 660314

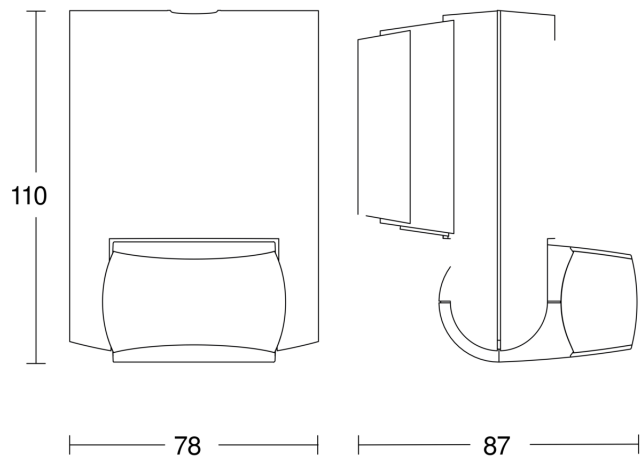


Detection Zone

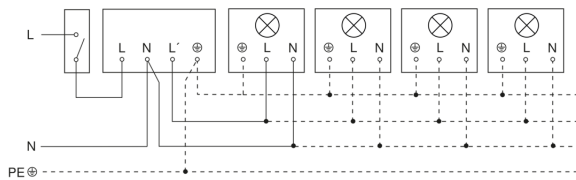


Mögliche Montagehöhe: 1,80 m – 3,00 m
 Orange: radial
 Schwarz: tangential

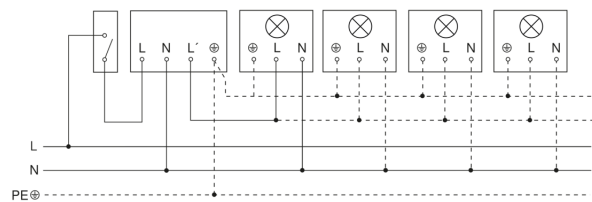
Dimension Drawing



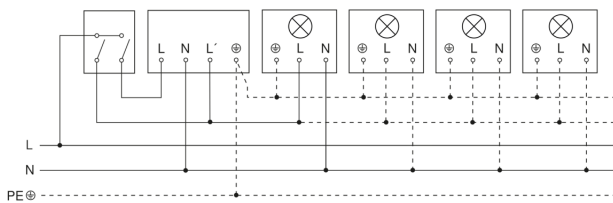
Light without neutral conductor



Light with neutral conductor



Connection using two-circuit switch for manual and automatic operation



Connection via a two-way switch for manual override and automatic operation

