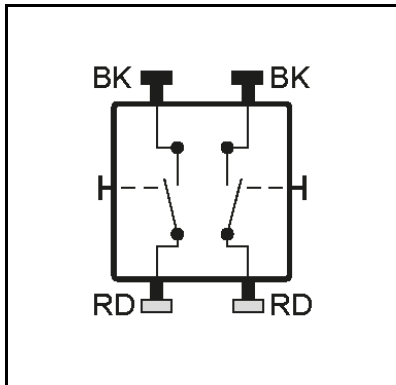
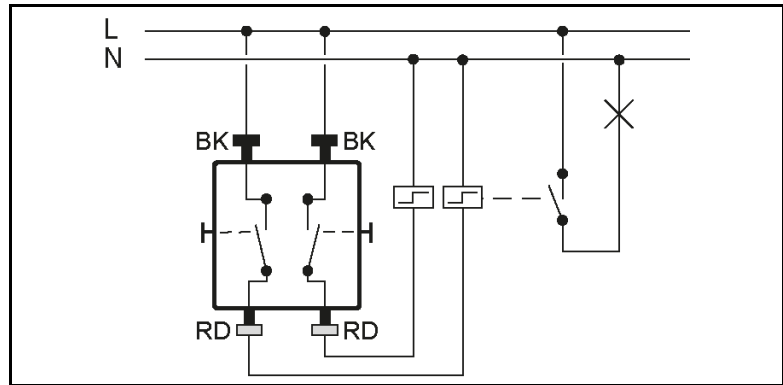


Description: 2-gang push-button  
(1-pole, 1-way, separate phases)

Ref.-no.: 531-2 USI



Contact assignments



Wiring diagrams

## Technical data

Switching voltage: AC 250 V ~  
Switching current: 10 A  
Connection: screwless terminals  
Switch type: 1-pole, 1-way (separate phases)