

IR Quattro 8m

COM1 - Concealed wiring
 EAN 4007841 000349
 Article number 000349



infrared sensor



max. 4 x 4 m presence

2000 W

max. 2000 W



IP20



ideal 2.5 - 8 m



indoor sensor

iQ

iQ-mode

Teach

Teach mode



energy saving

5 years

manufacturer's warranty steinel-professional.de/garantie

Function description

Squaring the circle. Infrared presence detector Presence Control PRO IR Quattro COM1 for indoors, ideal for small offices, store, service and utility rooms, washrooms and WCs, installation height up to 8 m, for switching light 'ON' and 'OFF', 1760 switching zones for excellent detection quality, square presence detection zone covering 16 m², mechanically scalable.

Technical specifications

Dimensions (L x W x H)	76 x 120 x 120 mm
Manufacturer's Warranty	5 years
Settings via	Remote control, DIP switches, Potentiometers, Smart Remote
With remote control	No
Version	COM1 - Concealed wiring
PU1, EAN	4007841000349
Type	Presence detector
Application, place	Indoors
Application, room	one-person office, conference room / meeting room, duty room, recreation room, changing room, function room / ancillary room, kitchenette, Indoors
Colour	white
Colour, RAL	9010
Includes corner wall mount	No
Installation site	ceiling
Installation	Concealed wiring, Ceiling

Technology, sensors	passive infrared, Light sensor
Mounting height	2,50 – 8,00 m
Mounting height max.	8,00 m
Optimum mounting height	2,8 m
Detection angle	360 °
Angle of aperture	100 °
Sneak-by guard	Yes
Capability of masking out individual segments	No
Electronic scalability	No
Mechanical scalability	Yes
Reach, radial	5 x 5 m (25 m ²)
Reach, tangential	7 x 7 m (49 m ²)
Reach, presence	4 x 4 m (16 m ²)
Switching zones	1760 switching zones
Functions	Normal / test mode, Semi-/fully automatic, Pushbutton / switch mode, Manual ON / ON-OFF

IR Quattro 8m

COM1 - Concealed wiring
 EAN 4007841 000349
 Article number 000349



Technical specifications

IP-rating	IP20
Ambient temperature	from 0 up to 40 °C
Material	Plastic
Mains power supply	230 V / 50 – 60 Hz
Fluorescent lamps, electronic ballast	1500 W
Fluorescent lamps, uncorrected	1000 VA
Fluorescent lamps, series-corrected	1000 VA
Fluorescent lamps, parallel-corrected	1000 VA
Switching output 1, low-voltage halogen lamps	2000 VA
LED lamps < 2 W	100 W
LED lamps > 2 W < 8 W	300 W
LED lamps > 8 W	600 W
Capacitive load in µF	176 µF

Twilight setting	10 – 1000 lx
Time setting	30 s – 30 Min.
Basic light level function	No
Main light adjustable	No
Twilight setting TEACH	Yes
Constant-lighting control	No
Interconnection	Yes
Type of interconnection	Master/master, Master/slave
Interconnection via	Cable
Interconnection, number	max. 10 sensors
Product category	Presence detector

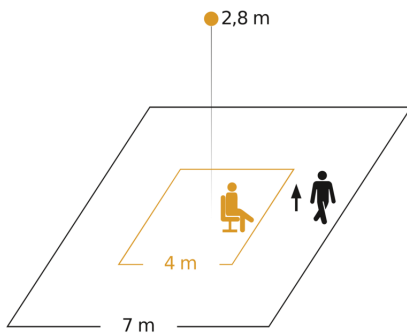
Accessories

EAN 4007841 000363	Surface-mounted adapter Control Pro IP54
EAN 4007841 003036	Control PRO guard cage
EAN 4007841 009151	Remote control Smart Remote
EAN 4007841 559410	Service remote control RC8

IR Quattro 8m

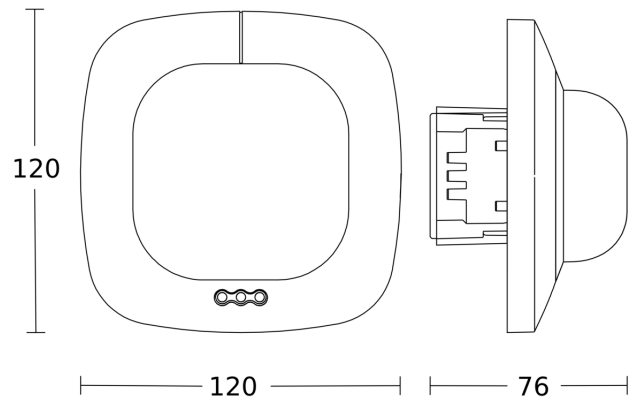
COM1 - Concealed wiring
EAN 4007841 000349
Article number 000349

Detection Zone

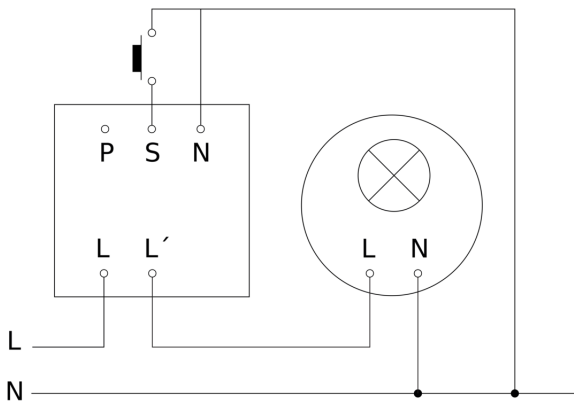


Possible mounting height: 2,50 m - 8,00 m
Orange: presence
Black: tangential

Dimension Drawing



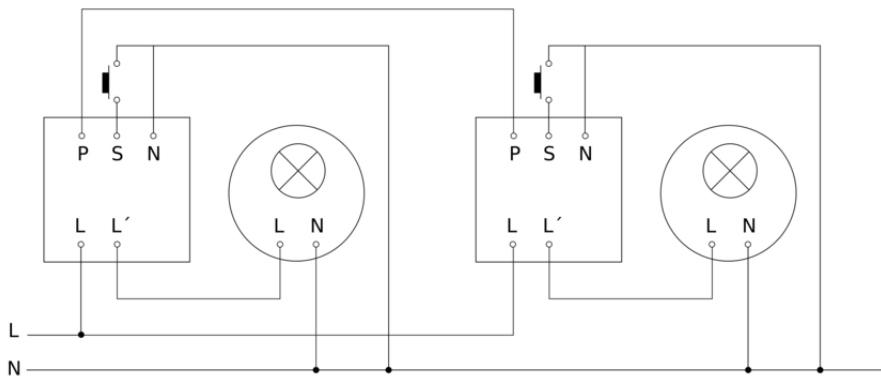
Master circuit diagram



IR Quattro 8m

COM1 - Concealed wiring
EAN 4007841 000349
Article number 000349

Master/master interconnection circuit diagram



Master/slave interconnection circuit diagram

