

Presence detector - Professional Line

# Dual HF

COM1 - Concealed wiring  
EAN 4007841 002978  
Article number 002978



high frequency  
sensor 360°



max. 20 x 3 m

2000 W

2000 W max.  
(LED-ready)



IP20



ideal 2,5 - 3,5 m



indoor sensor

iQ

iQ-mode

Teach

Teach mode



energy saving

5 years

manufacturer's  
warranty  
[steinel-professional.de/garantie](https://www.steinel.de/garantie)

## Function description

Twice as vigilant! High-frequency corridor sensor Presence Control PRO Dual HF COM1 for indoors, ideal for passageways and long corridors, installation height up to 3.5 m, for switching light 'ON' and 'OFF'; DUAL-HF technology for detecting radial movement over up to 20 m in two directions, detection regardless of temperature, HF-sensor technology detects movement through glass, wood and stud walls, switches light 'ON' almost instantly.

# Dual HF

COM1 - Concealed wiring

EAN 4007841 002978

Article number 002978



## Technical specifications

Dimensions (L x W x H)	74 x 120 x 120 mm
Manufacturer's Warranty	5 years
Settings via	Remote control, DIP switches, Potentiometers, Smart Remote
With remote control	Nein
Version	COM1 - Concealed wiring
PU1, EAN	4007841002978
Type	Presence detector
Application, place	Indoors
Application, room	corridor / aisle, Indoors
Colour	white
Colour, RAL	9010
Includes corner wall mount	No
Installation site	ceiling
Installation	Concealed wiring, Ceiling
IP-rating	IP20
Ambient temperature	-25 – 55 °C
Material	Plastic
Mains power supply	230 V / 50 – 60 Hz
Fluorescent lamps, electronic ballast	1500 W
Fluorescent lamps, uncorrected	1000 VA
Fluorescent lamps, series-corrected	1000 VA
Fluorescent lamps, parallel-corrected	1000 VA
Switching output 1, low-voltage halogen lamps	2000 VA
LED lamps	100 W
LED lamps > 2 W	300 W
LED lamps > 8 W	600 W

Capacitive load in µF	176 µF
Sensor Technology	High frequency
Mounting height	2,50 – 3,50 m
Mounting height max.	3,50 m
Optimum mounting height	2,8 m
HF-system	5,8 GHz
Detection	also through glass, wood and stud walls
Detection angle	Aisle, 360 °
Angle of aperture	140 °
Sneak-by guard	Yes
Capability of masking out individual segments	No
Electronic scalability	Yes
Mechanical scalability	No
Reach, radial	20 x 3 m (60 m <sup>2</sup> )
Reach, tangential	20 x 3 m (60 m <sup>2</sup> )
Transmitter power	
Functions	Normal / test mode, Semi-/fully automatic, Pushbutton / switch mode, Manual ON / ON-OFF
Twilight setting	10 – 1000 lx
Time setting	30 s – 30 Min.
Basic light level function	No
Main light adjustable	No
Twilight setting TEACH	Yes
Constant-lighting control	No
Interconnection	Yes
Type of interconnection	Master/master, Master/slave
Interconnection via	Cable

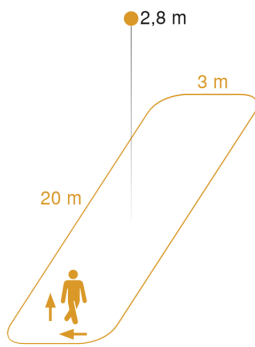
## Accessories

EAN 4007841 000363	Surface-mounted adapter Control Pro IP54
EAN 4007841 003036	Control PRO guard cage
EAN 4007841 009151	Remote control Smart Remote
EAN 4007841 006600	HF-ceiling adapter
EAN 4007841 559410	Service remote control RC8

# Dual HF

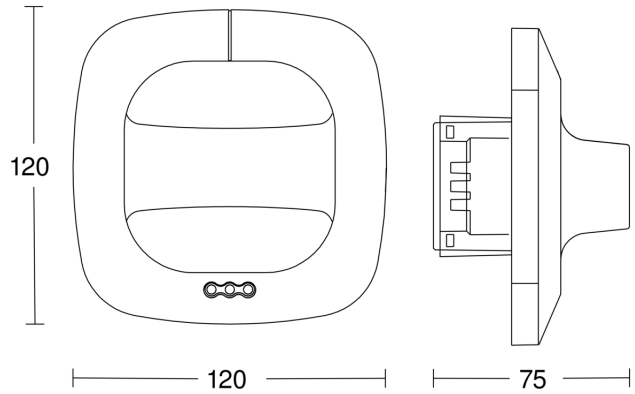
COM1 - Concealed wiring  
EAN 4007841 002978  
Article number 002978

## Detection Zone

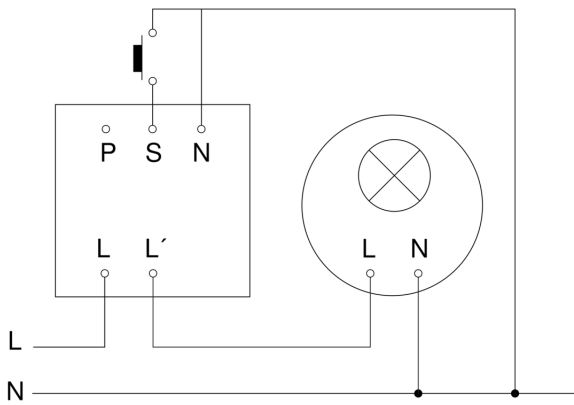


Mögliche Montagehöhe: 2,50 m – 3,50 m  
Orange: radial und tangential

## Dimension Drawing



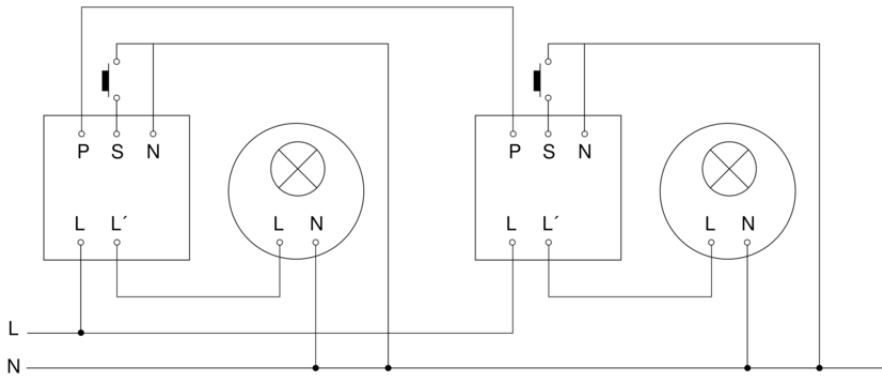
## Master circuit diagram



# Dual HF

COM1 - Concealed wiring  
EAN 4007841 002978  
Article number 002978

## Master/master interconnection circuit diagram



## Master/slave interconnection circuit diagram

